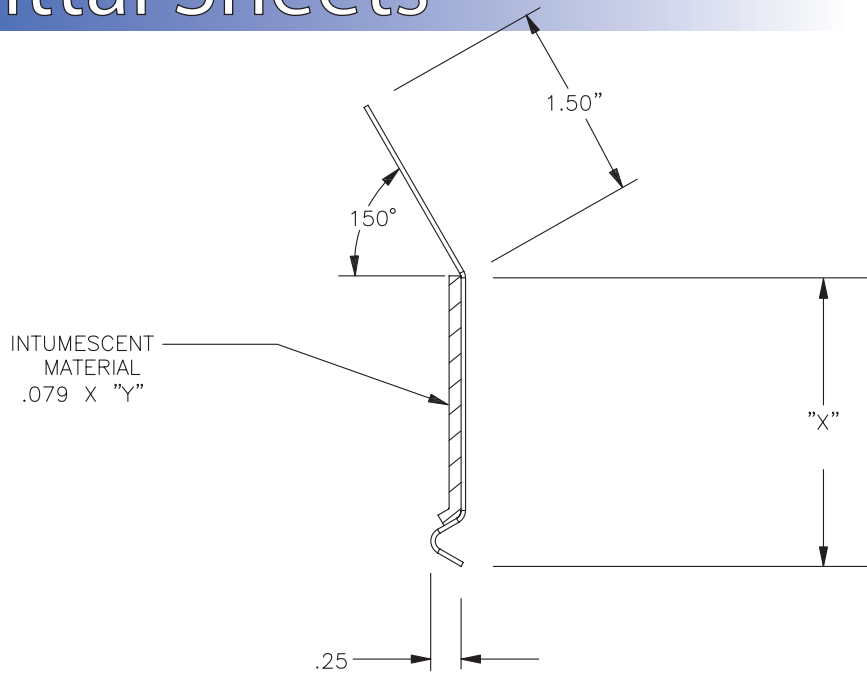


# Submittal Sheets



PART NAME	"X"	"Y"	ALLOWABLE VERTICAL MOVEMENT
OFS1	1.40"	1"	1"
OFS2	2.25"	2"	2"

